

100Gbps QSFP28 Passive High Speed Cable Specification



Description :

100G QSFP28 passive cable assembly products, based on 4X25G or 4X28G structure, this product can meet the needs of next-generation 100G switches, servers, routers and other product applications.

The QSFP28 cable assembly uses an optimized design to reduce crosstalk and insertion loss, providing excellent signal integrity and fully compliant with next-generation 100G Ethernet and InfiniBand EDR standards.

1.1 Product Features

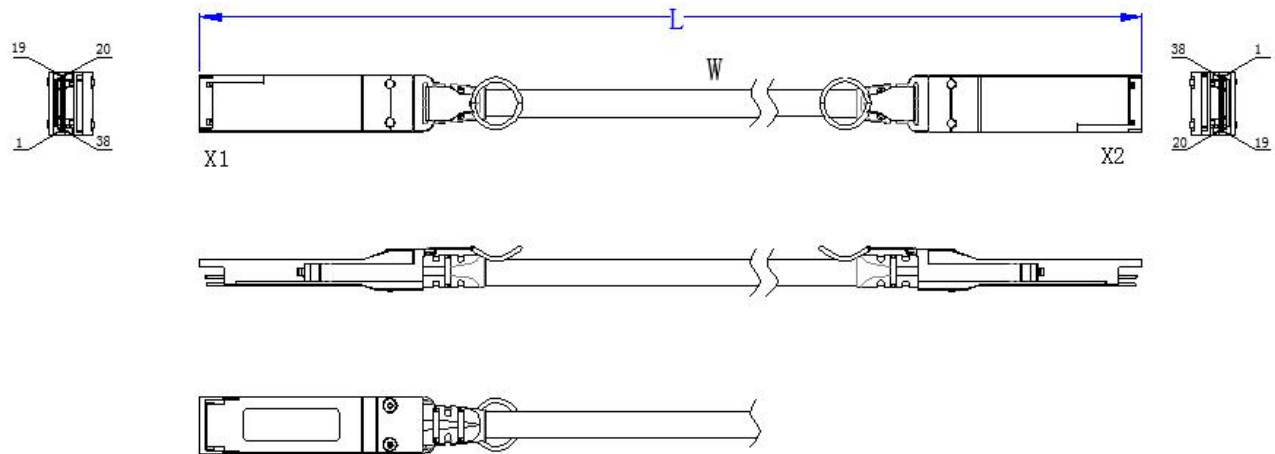
- Enhanced EMI / EMC performance

- 25Gbps data transfer rate per channel, up to 100Gbps
- Compliant with the IEEE 802.3bj standard and Infiniband EDR specifications
- Meets QSFP + MSA and SFF-8661 / SFF-8665 standards
- Support serial ID function through EEPROM
- 30AWG to 26AWG cable available
- RoHS and halogen-free options

1.2 Applications :

- Switch / router / HBA / SAN, NIC card
- 40G \ 100G Ethernet
- Storage, switch, data center, network center
- Infiniband, QDR / EDR.

1.3 Outline drawing:



1.4 Wiring Diagram:

X1	X2	REMARKS	X1	X2	REMARKS
18(RX1-)	37(TX1-)	pair	37(TX1-)	18(RX1-)	pair
17(RX1+)	36(TX1+)		36(TX1+)	17(RX1+)	
15(RX3-)	34(TX3-)	pair	34(TX3-)	15(RX3-)	pair
14(RX3+)	33(TX3+)		33(TX3+)	14(RX3+)	
6 (TX4+)	25(RX4+)	pair	25(RX4+)	6 (TX4+)	pair
5 (TX4-)	24(RX4-)		24(RX4-)	5 (TX4-)	
3 (TX2+)	22(RX2+)	pair	22(RX2+)	3 (TX2+)	pair
2 (TX2-)	21(RX2-)		21(RX2-)	2 (TX2-)	
1, 4, 7, 13, 16, 19, 20, 23, 26, 32, 35, 38	1, 4, 7, 13, 16, 19, 20, 23, 26, 32, 35, 38	GND	8, 9, 10, 11, 12, 27, 28, 29, 30, 31	8, 9, 10, 11, 12, 27, 28, 29, 30, 31	EEPROM point at both ends

2 Electrical Performance:

2.1 Signal Integrity

ITEM		REQUIREMENT	TEST CONDITION
Differential Impedance	Cable Impedance	105+5/-10Ω	Rise time of 25ps (20% - 80%).
	Paddle Card Impedance	100±10Ω	
	Cable Termination Impedance	100±15Ω	
Differential (Input/Output)Return loss S_{DD11}/S_{DD22}	$\text{Return_loss}(f) \geq \left\{ \begin{array}{ll} 16.5-2\sqrt{f} & 0.05 \leq f < 4.1 \\ 10.66-14\log_{10}(f/5.5) & 4.1 \leq f \leq 19 \end{array} \right\}$ Where f is the frequency in GHz Return loss(f) is the return loss at frequency f	10MHz≤f≤19GHz	
Differential to common-mode (Input/Output)Return loss S_{CD11}/S_{CD22}	$\text{Return_loss}(f) \geq \left\{ \begin{array}{ll} 22-(20/25.78)f & 0.01 \leq f < 12.89 \\ 15-(6/25.78)f & 12.89 \leq f \leq 19 \end{array} \right\}$ Where f is the frequency in GHz Return_loss(f) is the Differential to common-mode return loss at frequency f	10MHz≤f≤19GHz	
Common-mode to Common-mode	$\text{Return_loss}(f) \geq 2\text{dB}$ Where $0.2 \leq f \leq 19$	10MHz≤f≤19GHz	

(Input/Output)Return loss S _{CC11} /S _{CC22}	is the frequency in GHz Return_loss(f) is the common-mode to common-mode return loss at frequency f							
Differential Insertion Loss (S _{DD21} Max.)	(Differential InsertionLoss Max. For TPa to TPb Excluding Test fixture)							10MHz≤f ≤19GHz
	F AWG	1.25GHz	2.5GHz	5.0GHz	7.0GHz	10Ghz	12.89Ghz	
	30(1m) Max.	4.5dB	5.4dB	6.3dB	7.5dB	8.5dB	10.5dB	
	30/28(3m)Max.	7.5dB	9.5dB	12.2dB	14.8dB	18.0dB	21.5dB	
	26(3m)Max.	5.7dB	7.2dB	9.9 dB	11.9dB	14.1dB	16.5dB	
	26/25(5m)Max.	7.8dB	10.0dB	13.5dB	16.0dB	19.0dB	22.0dB	
Insertion Loss Deviation	-0.176*f - 0.7 ≤ ILD ≤ 0.176* f + 0.7							50MHz≤f ≤19GHz
Differential to common-mode Conversion Loss-Differential Insertion Loss(S _{CD21} -S _{DD21})	$\text{Conversion_loss}(f) - \text{IL}(f) \geq \begin{cases} 10 & 0.01 \leq f < 12.89 \\ 27-(29/22)f & 12.89 \leq f < 15.7 \end{cases}$ Where f is the frequency in GHz Conversion_loss(f) is the cable assembly differential to common-mode conversion loss IL(f) is the cable assembly insertion loss							10MHz≤f ≤19GHz
MDNEXT(multiple disturber near-end crosstalk)	≥35dB @12.89GHz							10MHz≤f ≤19GHz
Intra Skew	15ps/m,							10MHz≤f ≤19GHz

2.2 Other Electrical Performance

ITEM	REQUIREMENT	TEST CONDITON
Low Level Contact Resistance	70milliohms Max. From initial.	EIA-364-23:Apply a maximum voltage of 20mV And a current of 100 mA.
Insulation Resistance	10Mohm(Min.)	EIA364-21:AC 300V 1minute
Dielectric Withstanding Voltage	NO disruptive discharge.	EIA-364-20:Apply a voltage of 300 VDC for 1minute between adjacent terminals And between adjacent terminals and ground.

2.3 Environment Performance

ITEM	REQUIREMENT	TEST CONDITON
Operating Temp. Range	-20°C to +75°C	Cable operating temperature range.
Storage Temp. Range (in packed condition)	-40°C to +80°C	Cable storage temperature range in packed condition.
Thermal Cycling	No evidence of physical damage	EIA-364-32D, Method A, -25 to 90C, 100

Non-Powered		cycles, 15 min. dwells
Salt Spraying	48 hours salt spraying after shell corrosive area less than 5%.	EIA-364-26
Mixed Flowing Gas	Pass electrical tests per 3.1 after stressing. (For connector only)	EIA-364-35 Class II, 14 days.
Temp. Life	No evidence of physical damage	EIA-364-17C w/ RH, Damp heat 90°C at 85% RH for 500 hours then return to ambient
Cable Cold Bend	4H, No evidence of physical damage	Condition: -20°C±2°C, mandrel diameter is 6 times the cable diameter.

2.4 Mechanical and Physical Characteristics

ITEM	REQUIREMENT	TEST CONDITON
Vibration	Pass electrical tests per 3.1 after stressing.	Clamp & vibrate per EIA-364-28E, TC-VII, test condition letter – D, 15 minutes in X, Y & Z axis.
Twist	No evidence of physical damage	Twist cable 180° (±90° from nominal position) for 100 cycles at 30 cycles per minute with a 0.5kg load applied to the cable jacket. Clamp position: 300mm
Cable Flex	No evidence of physical damage	Flex cable 180° for 20 cycles (±90° from nominal position) at 12 cycles per minute with a 1.0kg load applied to the cable jacket. Flex in the boot area 90° in each direction from vertical. Per EIA-364-41C
Cable Plug Retention in Cage	90N Min. No evidence of physical damage	Force to be applied axially with no damage to cage. Per SFF 8661 Rev 2.1 Pull on cable jacket approximately 1 ft behind cable plug. No functional damage to cable plug below 90N. Per SFF-8432 Rev 5.0
Cable Retention in Plug	90N Min. No evidence of physical damage	Cable plug is fixtured with the bulk cable hanging vertically. A 90N axial load is applied (gradually) to the cable jacket and held for 1 minute. Per EIA-364-38B
Mechanical Shock	Pass electrical tests Per 3.1 after stressing.	Clamp and shock per EIA-364-27B, TC-G, 3 times in 6 directions, 100g, 6ms.
Cable Plug Insertion	40N Max. (QSFP28)	Per SFF8661 Rev 2.1
Cable plug Extraction	30N Max. (QSFP28)	Place axial load on de-latch to de-latch plug. Per SFF8661 Rev 2.1
Durability	50 cycles, No evidence of physical damage	EIA-364-09, perform plug & unplug cycles: Plug and receptacle mate rate: 250times/hour. 50times for QSFP28/SFP28 module (CONNECTOR TO PCB)

3. Package diagram:

The connectors at both ends are protected with a protective sleeve and each PCS is individually mounted in an anti-static bag.

≤2m : 200mm*300mm

>2m: 300mm*350mm

