

2x2 PM Optical Switch Type A

Features

- Low Insertion Loss
- High Return Loss
- High Extinction Ratio
- High Reliability
- Fail-safe Latching

Applications

- PON Network
- Protection
- Fiber Optical Instrument
- Fiber Sensor

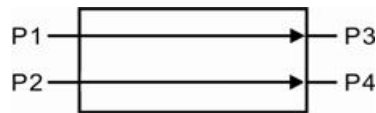
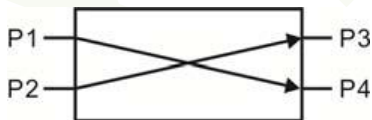
Specifications



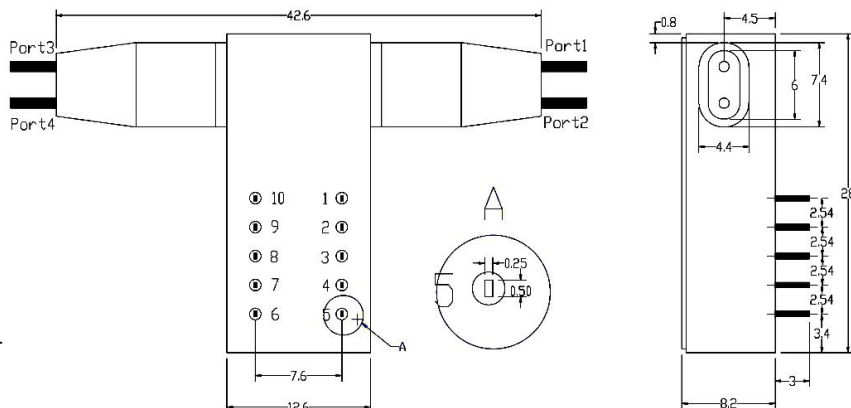
Parameters	nm	PMSW-2×2	
		PM630	PM1550
Fiber type	nm	PM630	PM1550
Testing Wavelength	nm	630/650/780/850/980/1064/1310	1310/1490/1550/1625/1650
Insertion Loss	dB	Typ:1.0, Max:1.3	Typ:1.0 , Max:1.2
Return Loss	dB	≥30	≥50
Crosstalk	dB	≥35	≥50
ER	dB	18.00	
WDL	dB	≤0.25	
TDL	dB	≤0.25	
Repeatability	dB	≤±0.02	
Power supply	v	3.0 or 5.0	
Lifetime	Cycle	≥10 ⁷	
Switch Time	ms	≤8	
Transmission Power	mW	≤500	
Operation Temperature	°C	-40~+85	
Storage Temperature	°C	-40~+85	
Weight	g	16	
Dimension	mm	(L)28×(W)12.6×(H)8.5(±0.2)	

For device with connector, IL is 0.3dB higher, RL is 5dB lower, ER is 2dB lower;
The default connector key is aligned to slow axis;

Optical Path



Package Dimension



Pin Configuration

Optical Path		Electric Drive				Sensor Status	
2×2		1	5	6	10	3-4,7-8	2-3,8-9
Latching	P1-P4,P2-P3	+5V	GND	N/A	N/A	CLOSE	OPEN
	P1-P3,P2-P4	N/A	N/A	GND	+5V	OPEN	CLOSE
Non-Latching	P1-P3,P2-P4	N/A	N/A	N/A	N/A	OPEN	CLOSE
	P1-P4,P2-P3	+5V	N/A	N/A	GND	CLOSE	OPEN

Electrical parameters

	Voltage	current	Resistor
5V Latching	4.5~5.5	36~44mA	125Ω
5V Non-Latching	4.5~5.5	26~32mA	175Ω
3V Latching	2.7~3.3	54~66mA	50Ω
3V Non-Latching	2.7~3.3	39~47mA	70Ω

Ordering Information (PMSWITCH-1111-23456-7)

1111	2	3	4	5	6	7
Center Wavelength	Port Number	Axis Alignment	Switch Type	Pigtail type	Fiber length	Connector type
P13:PM1310 P15:PM1550	2=2X2	S=Slow axis working F=Fast axis working	L: Latching N:Non-Latching	0=250 bare fiber, 1=900um loose tube	0=0.8m, 1=1m	0=FC/UPC 1=FC/APC 2=SC/UPC 3=SC/APC 4=others